

Power Metal Oxide Film Resistors

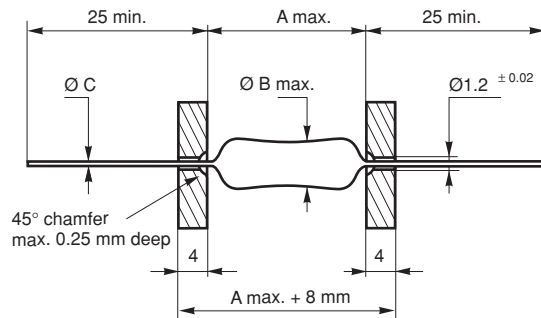


The “ROP” resistors combine low price with outstanding performance and are therefore suitable for both professional and general purpose applications. These power metal oxide film resistors can favorably be used as a substitute for general purpose cemented or lacquered wirewound resistors, in medium and high ohmic values ranges.

FEATURES

- 2W and 4W at 25°C
- NF C 83-210
- Good overload performance
- High reliability level
- Small size
- High electrical insulation
- Resistance to cleaning solvents
- Excellent climatic performances
- Good mechanical strength

DIMENSIONS in millimeters



SERIES	DIMENSIONS	A	Ø B	Ø C	UNIT WEIGHT IN g
ROP2		14.7	4.9	0.8 ± 0.1	1.2
ROP4		25.2	6.9	0.8 ± 0.1	3

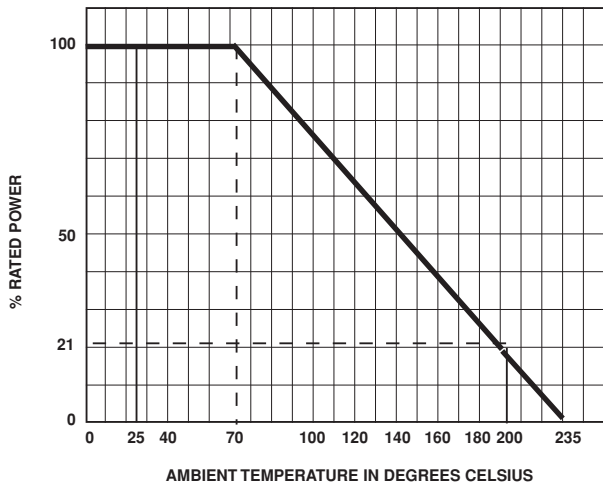
TECHNICAL SPECIFICATIONS

VISHAY SFERNICE SERIES	ROP2	ROP4
CCTU 04-06A NF C/UTE 83-210	RCP12	RCP13
Power Rating 25°C	2W	4W
Critical Resistance	out of nominal ohmic range	out of nominal ohmic range
Resistance Value Range and Resistance Tolerance	± 5% E24 1Ω to 56kΩ	4.7Ω to 100kΩ
Maximum Voltage	350V	500V
Maximum Operating Temperature	235°C	+ 235°C

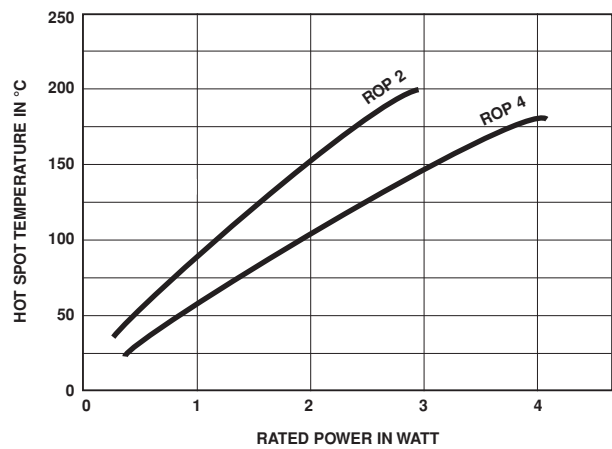


PERFORMANCE			
NF C 83-210 - CECC 40 201		REQUIREMENTS	TYPICAL VALUES AND DRIFTS
TESTS	CONDITIONS	NF C 83-210	
Short Time Overload	10 Pn during 5 s or 40 V/mn	$\leq \pm (1\% + 0.05)$	$\pm 0.2\%$ or 0.05Ω
Thermal Shock	load at Pr followed by cold temp. exposure 15 min. at -55°C	–	$\pm 0.2\%$ or 0.05Ω
Climatic Sequence	10 cycles	$\leq \pm (3\% + 0.1)$	$\pm 0.3\%$ or 0.05Ω
Load Life	cycle 90'/30' 1000 h at Pr at 25°C	$\leq \pm (3\% + 0.1)$	$\pm 1\%$ or 0.05Ω
Damp Heat Humidity (Steady State)	56 days with low load	$\pm (3\% + 0.1)$	$\pm 0.3\%$ or 0.05Ω
Load Life at max. Category Temperature	200°C 21% of Pn	$\pm (3\% + 0.1)$	–
Climatic Sequence	-55°C $+200^{\circ}\text{C}$ severity 1-5 cycles	$\pm 3\%$ or 0.05	$\pm 3\%$ or 0.05Ω

POWER RATING CHART (NF C)



TEMPERATURE RISE



ORDERING INFORMATION

ROP	2		18kΩ	± 5%	
SERIES	STYLE	SPECIAL DESIGN	OHMIC VALUE	TOLERANCE	PACKAGING
		Method N° Optional			Optional



Notice

Specifications of the products displayed herein are subject to change without notice. Vishay Intertechnology, Inc., or anyone on its behalf, assumes no responsibility or liability for any errors or inaccuracies.

Information contained herein is intended to provide a product description only. No license, express or implied, by estoppel or otherwise, to any intellectual property rights is granted by this document. Except as provided in Vishay's terms and conditions of sale for such products, Vishay assumes no liability whatsoever, and disclaims any express or implied warranty, relating to sale and/or use of Vishay products including liability or warranties relating to fitness for a particular purpose, merchantability, or infringement of any patent, copyright, or other intellectual property right.

The products shown herein are not designed for use in medical, life-saving, or life-sustaining applications. Customers using or selling these products for use in such applications do so at their own risk and agree to fully indemnify Vishay for any damages resulting from such improper use or sale.